

## Features and Benefits

- ☒ Light source: 3 pieces Cree XRE
- ☒ Source life: more than 40,000 hours
- ☒ Low heat, no UV or IR light radiation
- ☒ Warm white, natural white and cool white
- ☒ Fully dimmable on any commercial dimmer
- ☒ Homogeneous illumination
- ☒ Molded heat sink for excellent heat management
- ☒ 4W spotlight can achieve directional light output equal to 50W incandescent lamp yet consume 80% less power
- ☒ RoHS compliant
- ☒ CE certification pending
- ☒ 1 year limited warranty (see page 6)
- ☒ Works with worldwide electrical systems (110 or 220V AC)

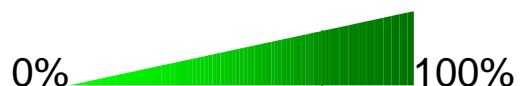


## Typical Applications

- ☒ Landscape Accent/Spot lighting
- ☒ Recess/Down Lighting
- ☒ Display Case Accent
- ☒ Art work Lighting
- ☒ Mood Lighting/General lighting



## DIMMING RANGE



## PRODUCT SPECIFICATIONS

<b>LIGHT SOURCE</b>	3 X 1W Cree XRE power LED
<b>OPTICS</b>	3X optical grade polycarbonate lens
<b>BEAM ANGLE</b>	30° (Wide Spot)
<b>RENDERING INDEX (Ra)</b>	>80 (for warm white color)
<b>LAMP DIAMETER</b>	50mm
<b>LAMP HEIGHT</b>	See product dimension below
<b>WEIGHT</b>	Approx 50g for lamp; 30g for LED driver
<b>HOUSING</b>	Molded aluminum with anodized finish
<b>CONNECTOR TYPE</b>	MR16/GU10/E27/E26/B2E14/B15
<b>POWER SUPPLY</b>	External dimmable LED driver or non-dimmable LED driver
<b>DIMMERBILITY</b>	Dimmable on standard commercial dimmer

## ENVIRONMENTAL SPECIFICATIONS

<b>TEMPERATURE RANGE</b>	Ambient: -20°C to 40°C; Surface of Lamp: 60°C to 70°C
<b>HUMIDITY RANGE</b>	0 to 95% non-condensing humidity

## ELECTRICAL SPECIFICATIONS

<b>VOLTAGE REQUIREMENT</b>	LED driver requires 110 or 220V AC (main voltage)
<b>POWER CONSUMPTION</b>	≤ 4W per lamp

**LAMPS REQUIRE LED DRIVER - DO NOT CONNECT LAMPS DIRECTLY TO ELECTRICAL MAINS**

## PRODUCT DIMENSIONS (mm)

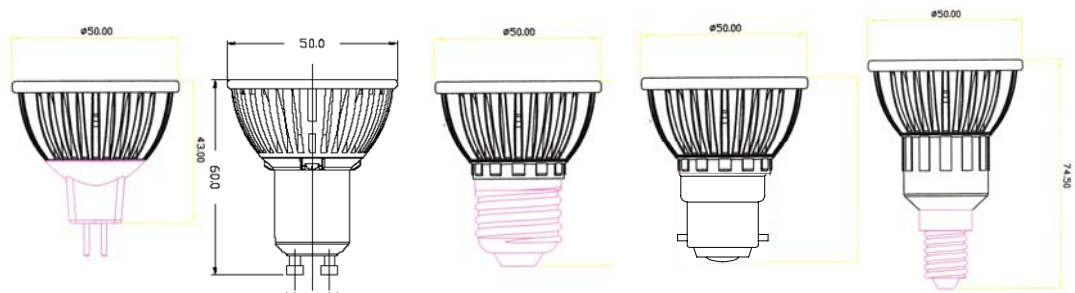


Fig 1. Top View

Fig 2. MR16

Fig 3. GU10

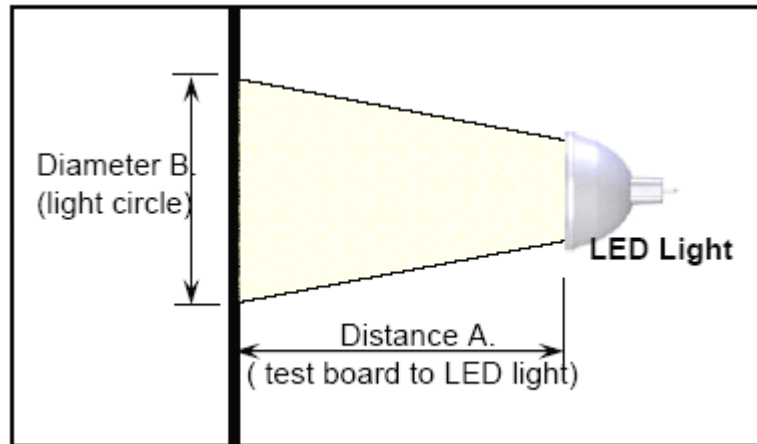
Fig 4. E27/E26

Fig 5. B22

## 3X1W DIMMABLE SPOTLIGHT PRODUCT CODE

ORDER CODE	Color	Color Temp. CCT (K)	Base Type	LED Power (W)	Typ. Luminous Flux (lm)	Typ. Center Illuminance @ 1m (Lux)	BEAM ANGLE
EL3-V3WS-1P/XRE/D	Cool White	5000K~7000K	MR16	3X1W	180 lm	600	30° ±2°
EL3-V3NS-1P/XRE/D	Nat. White	4000K~5000K			160 lm		
EL3-V3VS-1P/XRE/D	Warm White	2800K~3800K			140 lm	500	
EL3-V3WS-2P/XRE/D	Cool White	5000K~7000K	GU10	3X1W	180 lm	600	30° ±2°
EL3-V3NS-2P/XRE/D	Nat. White	4000K~5000K			160 lm		
EL3-V3VS-2P/XRE/D	Warm White	2800K~3800K			140 lm	500	
EL3-V3WS-3P/XRE/D	Cool White	5000K~7000K	E27	3X1W	180 lm	600	30° ±2°
EL3-V3NS-3P/XRE/D	Nat. White	4000K~5000K			160 lm		
EL3-V3VS-3P/XRE/D	Warm White	2800K~3800K			140 lm	500	
EL3-V3WS-4P/XRE/D	Cool White	5000K~7000K	B22	3X1W	180 lm	600	30° ±2°
EL3-V3NS-4P/XRE/D	Nat. White	4000K~5000K			160 lm		
EL3-V3VS-4P/XRE/D	Warm White	2800K~3800K			140 lm	500	
EL3-V3WS-5P/XRE/D	Cool White	5000K~7000K	E14	3X1W	180 lm	600	30° ±2°
EL3-V3NS-5P/XRE/D	Nat. White	4000K~5000K			160 lm		
EL3-V3VS-5P/XRE/D	Warm White	2800K~3800K			140 lm	500	
EL3-V3WS-7P/XRE/D	Cool White	5000K~7000K	B15	3X1W	180 lm	600	30° ±2°
EL3-V3NS-7P/XRE/D	Nat. White	4000K~5000K			160 lm		
EL3-V3VS-7P/XRE/D	Warm White	2800K~3800K			140 lm	500	
EL3-V3WS-8P/XRE/D	Cool White	5000K~7000K	E26	3X1W	180 lm	600	30° ±2°
EL3-V3NS-8P/XRE/D	Nat. White	4000K~5000K			160 lm		
EL3-V3VS-8P/XRE/D	Warm White	2800K~3800K			140 lm	500	

## Illumination Characteristics ( $T_a=25^{\circ}\text{C}$ )



### 3X1W Dimmable Model

Distance		Typical Illuminance Measured at Center of Beam (Lux)					
Dist A (cm)	Dia. B (cm)	Cool White	Nat.	Warm White	Blue	Red	Green
50	45	2500		2300			
100	86	600		500			
150	128	170	-	160	-	-	-
200	160	85	-	70	-	-	-

Note: Center beam lux is measured with Digital Lux Meter (Model TES-1334A)

## Typical Electrical Characteristics at $T_a=25^{\circ}\text{C}$

### 3X1W Dimmable Spot

Parameter	Symbol	Min	Typ	Max	Unit
LED Driver Input Voltage (AC) 110V	$V_{AC}$	0	—	140	V
LED Driver Input Voltage (AC) 220V	$V_{AC}$	0	—	260	V
LED Forward Current	$I_F$	10	—	350	mA
Estimated Life <sup>l</sup>		—	40,000	—	hours
Optimized Body Temperature (3X3W LED)	T	—	60	65	$^{\circ}\text{C}$

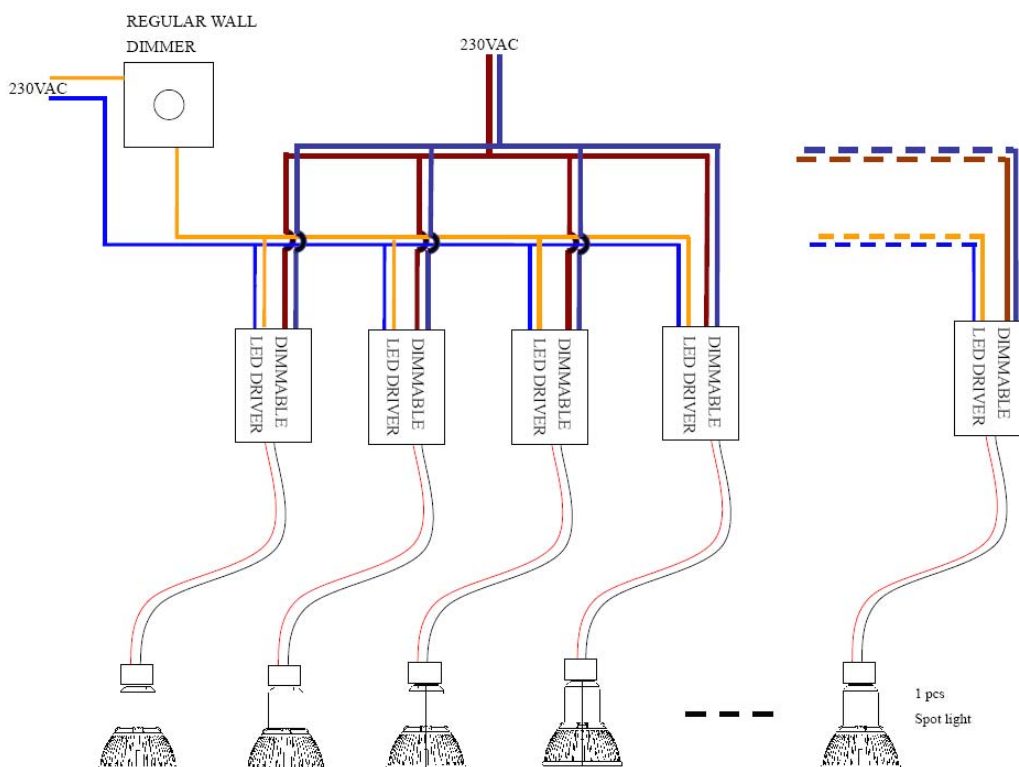
Note[\*] – Manufacturer projects recess lamp made with Cree power LED to maintain an average of 70% lumens maintenance after 50,000 hours. This estimation is made based on data from LED manufacturer

## DIMMABLE LED DRIVER SPECIFICATIONS

Model:	DP-9W
Input Voltage:	230VAC 50/60 Hz
Output Voltage:	3-12V DC
Max Load Power:	9W
Dimming Range:	0% - 100%
Weight:	130g
Casing Size:	136X40X30 mm



## DIMMABLE CONNECTION DIAGRAM



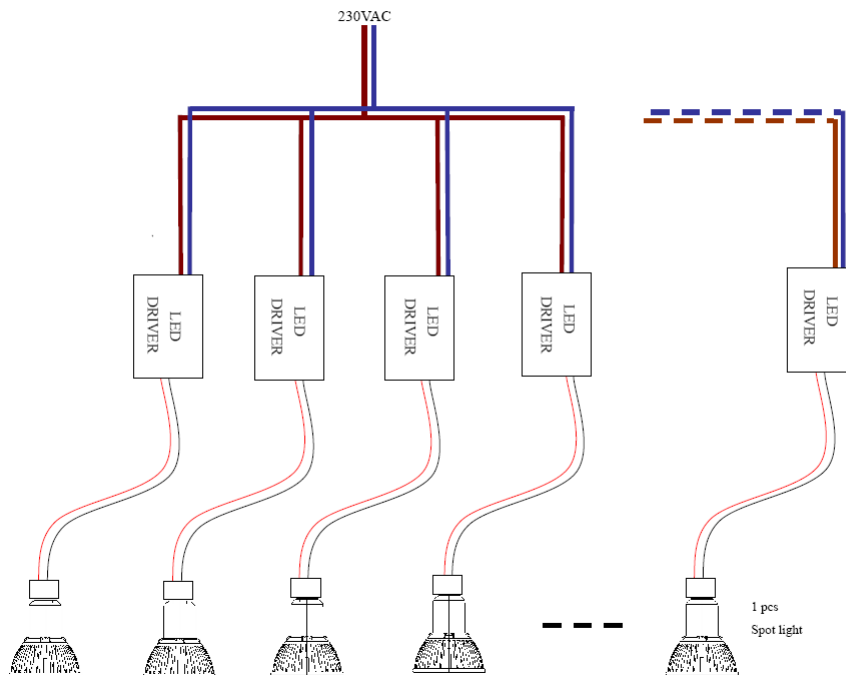
Note: We recommend maximum of 2 pcs V3 spot connection per one LED driver

## NON-DIMMABLE LED DRIVER SPECIFICATIONS

Model: CP1503  
Input Voltage: 100~240VAC 50/60 Hz  
Output Voltage: 8~15VDC  
Output Current: 350mA max (constant)  
Max Load Power: 12W  
Weight: 60g  
Casing Size: 80X43X19.5 mm  
Remarks: Other wattages is available, please inquire with our sales associates



## NON-DIMMABLE CONNECTION DIAGRAM



Note: We recommend maximum of 2 pcs V3 spot connection per one LED driver

## PACKAGING SPECIFICATIONS

