

Features

- Light source: 3.6W Zenigata power LED
- Source life: More than 40,000 hours
- Low heat, no UV or IR light radiation
- Homogeneous flood illumination, no halo-ring effect
- Highest Luminous Efficacy: 50 lm/watt for white color
- Optimized heat sink with the right looks and sleek design
- 4W version can achieve directional light output equal to 50W halogen lamp yet consume 80% less power
- Reverse polarity protection
- Safety Standard: **CE** and RoHS
- 1 year limited warranty (see page 6)
- Works with 110V or 220V AC lighting systems



Typical Applications

- Landscape Accent/Spot lighting
- Architectural Lighting
- Display Case Accent
- Artwork Lighting
- Mood Lighting
- Amusement Park Accent

PRODUCT SPECIFICATIONS

LIGHT SOURCE	1X 3.6W Zenigata power LED
OPTICS	Optical grade glass lens with aluminium reflector
LENS DIAMETER	28 mm
BEAM ANGLE	90° (Flood)
RENDERING INDEX (Ra)	>60 (for cool white) >70 (for warm white)
TOTAL LENGTH	55 mm (including base)
WEIGHT	52 g
HOUSING	Molded aluminum with chrome finish, 5 cm (2") diameter
BASE	E27 Edison screw base
DIMMABILITY	Not Dimmable

ENVIRONMENTAL SPECIFICATIONS

TEMPERATURE RANGE	Ambient: -20°C to 40°C; Surface of Lamp: 50°C to 60°C
HUMIDITY RANGE	0 to 95% non-condensing humidity

ELECTRICAL SPECIFICATIONS

VOLTAGE REQUIREMENT	110V AC or 220V AC
POWER CONSUMPTION	≤ 4W
POWER FACTOR	≥ 0.6

PRODUCT DIMENSIONS (mm)

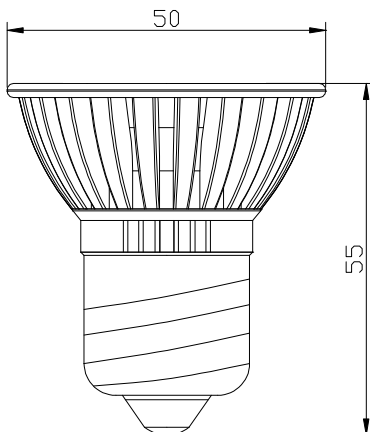


Fig 1. E27 side view

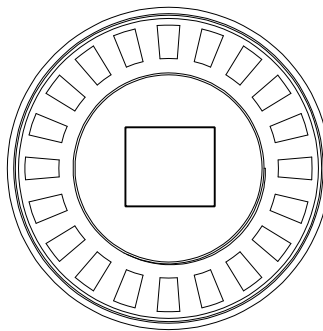
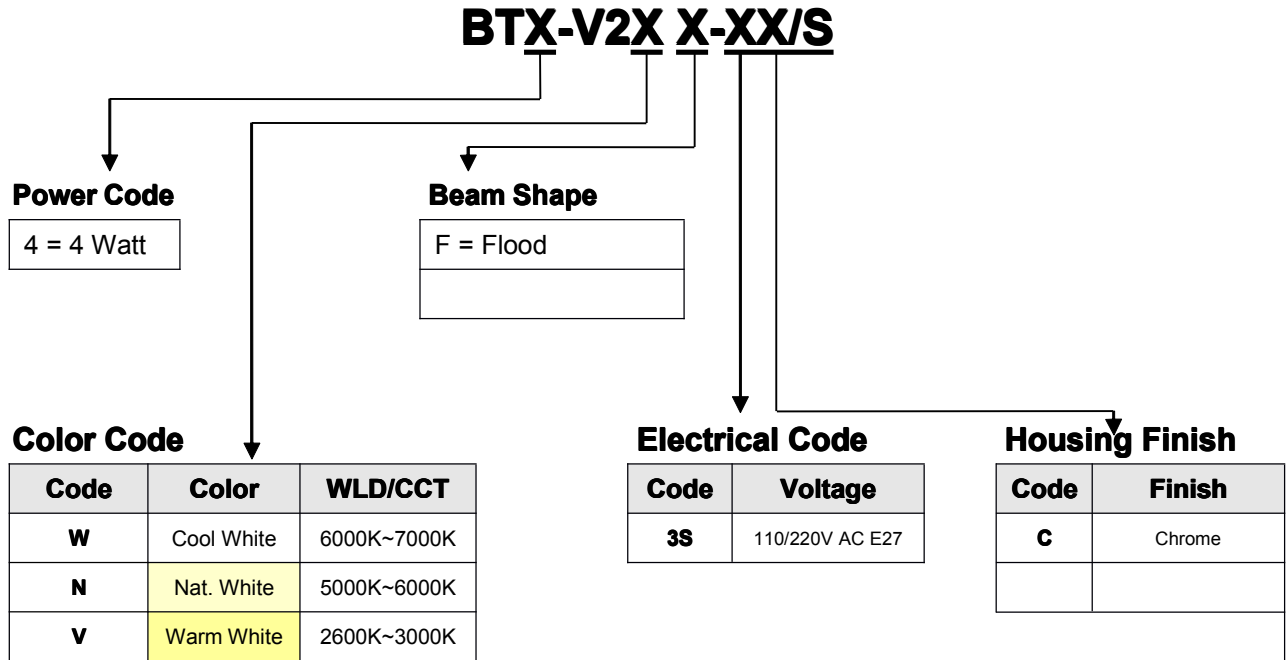


Fig 2. E27 Top view

PRODUCT ORDERING CODE

4W ZENIGATA E27 PRODUCT CODE

ORDER CODE	Color	Wavelength or CCT (nm/K)	Operating Voltage	LED Power (W)	Typical Luminous Flux (lm)	Typical Illuminance @ 1m (Lux)	BEAM ANGLE
BT4-V2WF-3SC/S	Cool White	6000K~7000K	110/220V AC	1X3.6W	160 lm	N.A.	90° ±2°
BT4-V2NF-3SC/S	Nat. White	5000K~6000K			170 lm	N.A.	
BT4-V2VF-3SC/S	Warm White	2600K~2800K			140 lm	40	

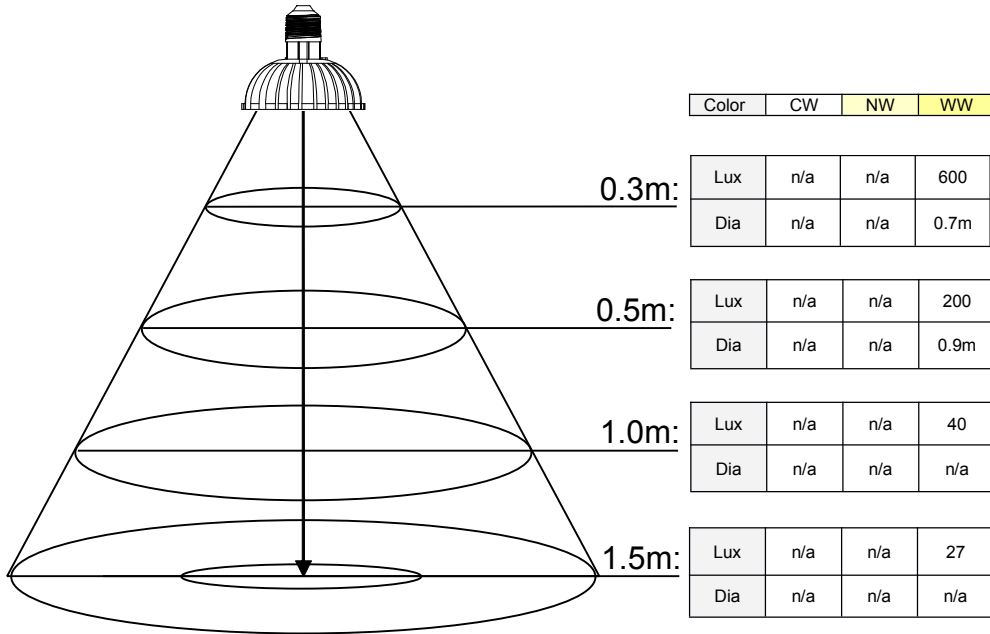
Illumination Characteristics ($T_a=25^\circ\text{C}$)


Fig 1. Set up for Illuminance Measurement

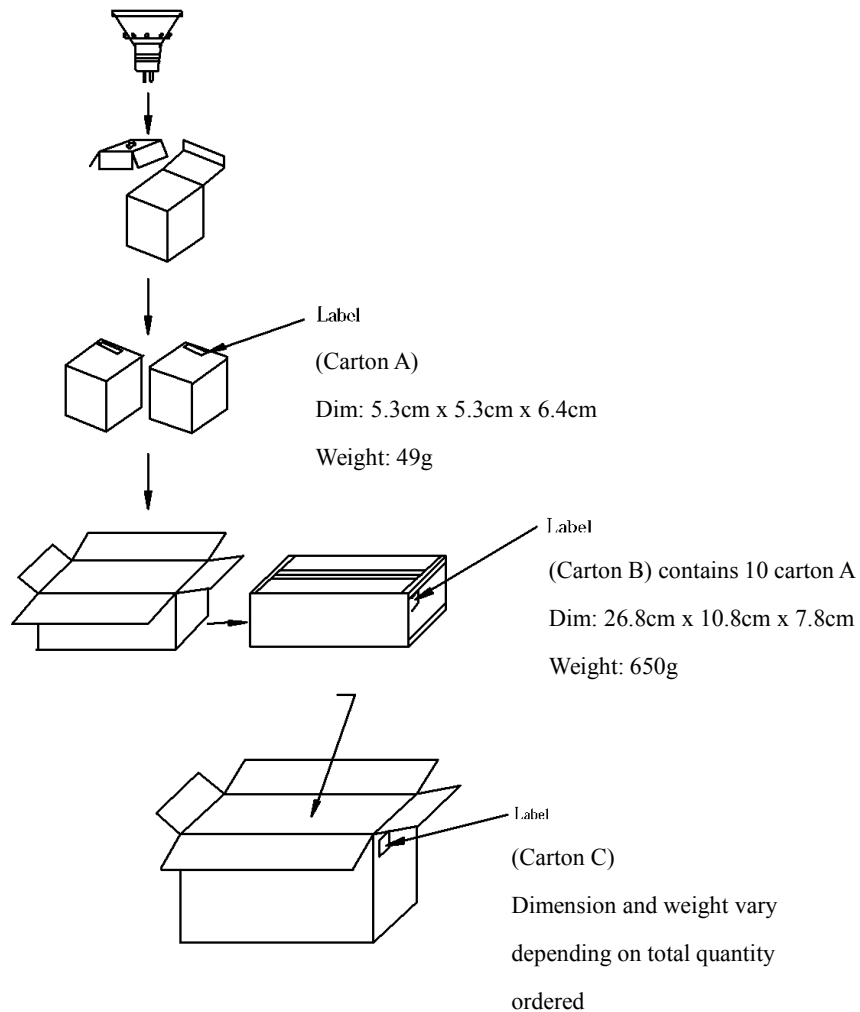
Note: a) Center beam lux is measured with Digital Lux Meter (Model TES-1334A)

 Typical Electrical Characteristics at $T_a=25^\circ\text{C}$

4W Model

Parameter	Symbol	Min	Typ	Max	Unit
Input Voltage (110V AC)	V_{AC}	100	—	120	V
Input Voltage (220V AC)	V_{AC}	200	—	240	V
LED Forward Current	I_F	—	350	—	mA
Estimated Life [□]		—	50,000	—	hours
Optimized Body Temperature (3.6W LED)	T	—	65	69	$^\circ\text{C}$

PACKAGING SPECIFICATIONS



LIMITED WARRANTY

Manufacturer warrants to the Purchaser that each Product manufactured and sold by it will be free from defects in material and workmanship in its intended use (normal wear and tear excepted) for the period of one year from date of Purchaser's purchase (the invoice date) from Manufacturer. Manufacturer's warranty flows only to Purchaser. If any Product covered by this warranty is returned by Purchaser in accordance with Manufacturer's Products Return Policy, including without limitation its return authorization provisions, within the applicable warranty period set forth above, and upon examination Manufacturer determines to its satisfaction that such Product was defective in material or workmanship at the time of delivery to the Purchaser, Manufacturer will, at its option, repair or replace the Product or the defective part thereof, or reimburse Purchaser for the purchase price. For purposes of clarity, "repair or replace the Product or the defective part thereof" does not include any reinstallation costs or expenses. If Manufacturer chooses to replace the Product and is not able to do so because it has been discontinued or is not available, Manufacturer may replace it with a comparable product. The Products Return Policy is posted on Manufacturer's Internet web site at http://www.brilliance-led.com/En_terms_conditions.asp. The foregoing notwithstanding, Manufacturer will not be responsible for damage to any Product resulting from misuse, negligence, acts of God or accident or resulting from repairs or alterations made by any person or firm not duly authorized by Manufacturer in writing. Purchaser shall convey with each Product distributed to end users the MANUFACTURER'S LIMITED WARRANTY included by Manufacturer with such Product, and, if Manufacturer determines that the appropriate remedy for a defective product is refund of Purchaser's purchase price, Purchaser shall refund to the end user (or arrange for the refund to the end user of) the full purchase price paid by the end user for such defective Product.

THIRD PARTY WARRANTIES

With respect to products sold to the Purchaser by Manufacturer but not manufactured by Manufacturer, MANUFACTURER MAKES NO WARRANTY OF ANY KIND, EXPRESS OR IMPLIED, INCLUDING, WITHOUT LIMITATION, ANY WARRANTY OF MERCHANTABILITY OR FITNESS FOR A PARTICULAR PURPOSE, but will make available to the Purchaser, to the extent permitted by law and relevant contracts, the warranties of the manufacturer of the relevant product upon the Purchaser's timely written request.

NON-IMPLIED WARRANTIES

THE WARRANTIES GIVEN IN THESE TERMS ARE THE ONLY WARRANTIES GIVEN BY THE MANUFACTURER WITH RESPECT TO THE PRODUCTS AND ARE GIVEN IN LIEU OF ALL OTHER WARRANTIES, EXPRESS OR IMPLIED, INCLUDING, BUT NOT LIMITED TO, WARRANTIES OF MERCHANTABILITY, OF NON INFRINGEMENT AND OF FITNESS FOR A PARTICULAR PURPOSE. PURCHASER'S EXCLUSIVE REMEDIES, AND MANUFACTURER'S SOLE LIABILITY, FOR ANY NONCONFORMITY OR DEFECT IN ANY PRODUCT SHALL BE THOSE EXPRESSED HEREIN.

LIMITATION OF LIABILITY

An essential purpose of the limited exclusive liabilities and remedies in this Agreement is allocation of risks between Manufacturer and Purchaser, which allocation of risks is reflected in the purchase price for the Products. UNDER NO CIRCUMSTANCES SHALL MANUFACTURER'S LIABILITY ARISING OUT OF OR IN CONNECTION WITH THIS AGREEMENT OR MANUFACTURER'S PERFORMANCE OR ASSERTED FAILURE TO PERFORM HEREUNDER, IN CONTRACT, TORT (INCLUDING NEGLIGENCE) OR OTHERWISE, EXCEED THE PURCHASE PRICE OF THE PRODUCT TO WHICH SUCH LIABILITY RELATES. IN NO EVENT SHALL MANUFACTURER BE LIABLE FOR SPECIAL, INCIDENTAL OR CONSEQUENTIAL DAMAGES, INCLUDING, WITHOUT LIMITATION, DAMAGES RESULTING FROM LOSS OF USE, PROFITS, BUSINESS OR GOODWILL, WHETHER OR NOT MANUFACTURER HAS BEEN ADVISED OF THE POSSIBILITY THEREOF.

Patents Pending Product
E27V2-S-Rev. 1.0c
Specifications are subject to change without notice.
Copyright Brilliance Technologies Co., Ltd. All rights reserved